



Skill-a-Thon

Small Engines

Parts Identification

Supplies Needed

Engine block with parts labeled for identification, paper and pencils or
Diagram and labels

Situation

You have decided to start your own business repairing and tuning up lawn mowers. In order to be successful, you must learn the parts of the engine.

Task

Correctly identify the parts of the engine.

Directions

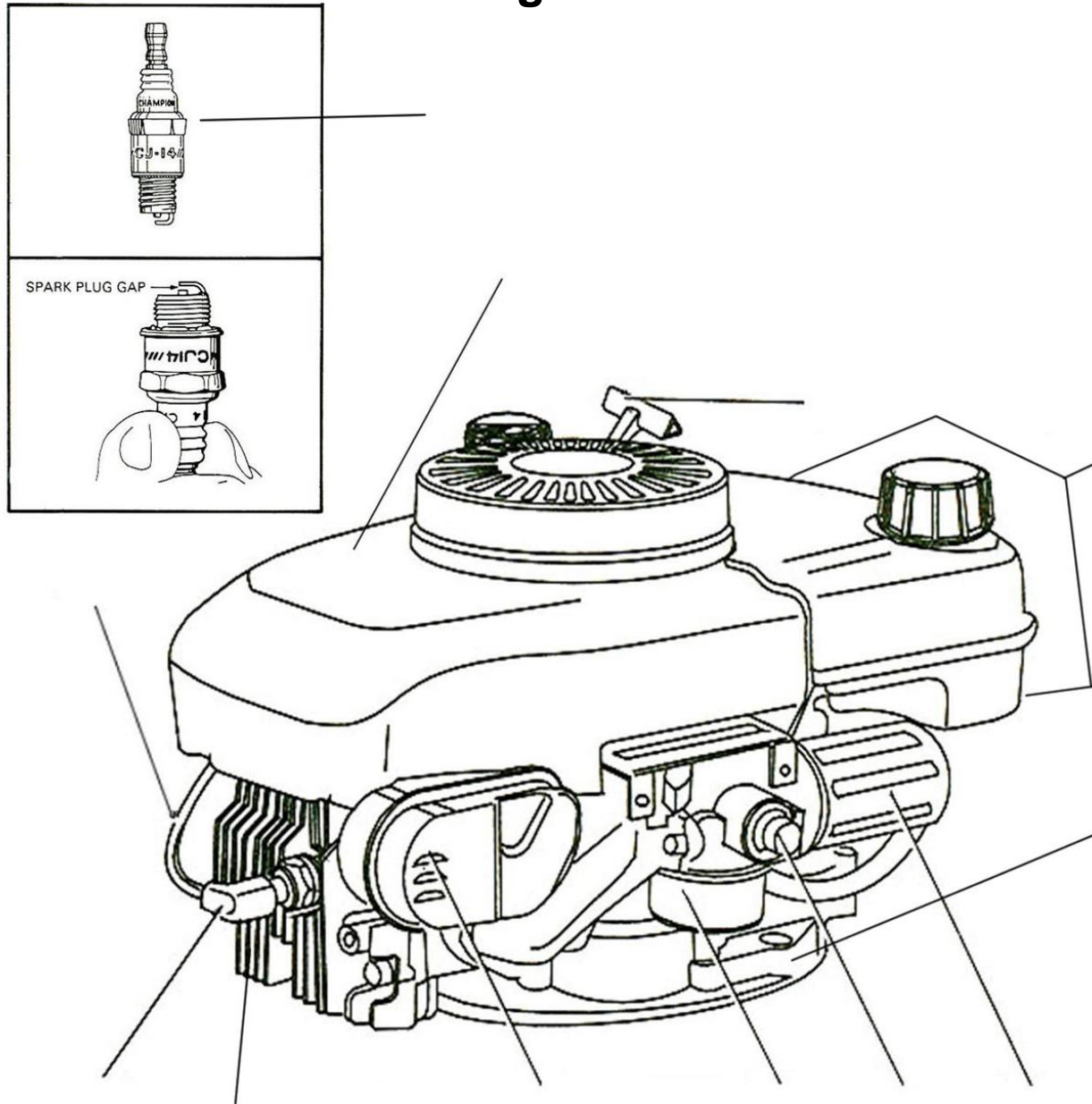
Review the areas marked on the engine and determine the names of the engine part. Once you have determined the name of the part record it on the provided piece of paper. Make sure and include the identifier (number or letter on the label of the part).

Or

Match the label with the correct part on the engine diagram.



Engine Parts



Flash Cards

Spark Plug Cap	Spark Plug Wire
Air Cleaner	Primer
Muffler	Shroud or Blower Housing
Gas Tank	Sump
Starter Plug Handle	Carburetor
Cylinder Head	Spark Plug

Answer Key

