



Skill-a-Thon

Aerospace

Parts of a Plane

Supplies Needed

Picture of a plane. See Aerospace project literature Y8120, Lift-Off, pg. 33, for plane and correctly identified parts. You can also use a model plane and have members attach the names of the identified parts.

Source: *National 4-H Aerospace Curriculum*

Situation

You are asked to put together a toy plane for a group of students at the local elementary school. You want to help the students learn the parts of the plane as you are putting the plane together.

Task

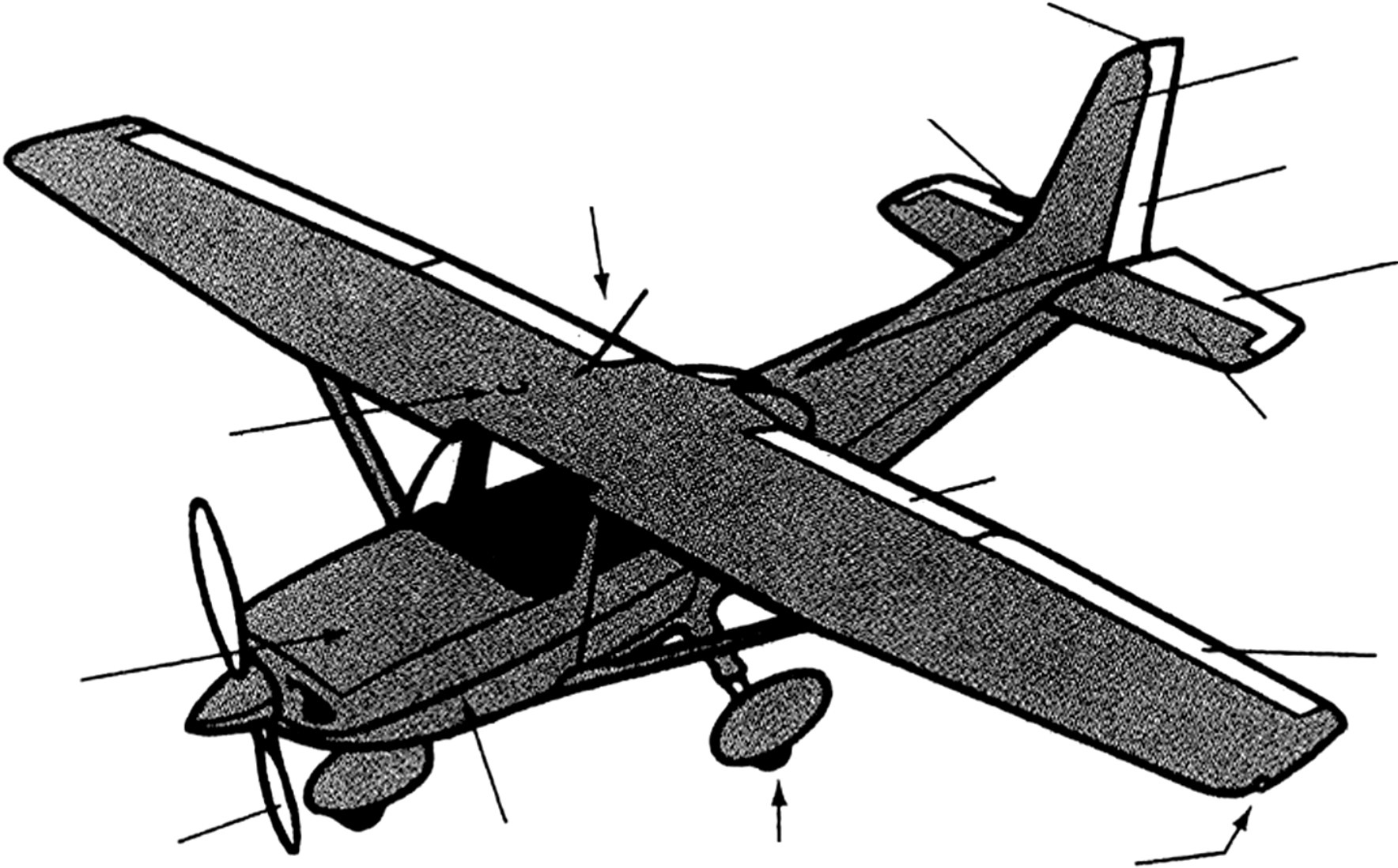
Identify the parts of a plane

Directions

Connect the name of the plane part to the correct identified area on the model or paper.



Airplane Diagram



Flash Cards

Radio Antenna	Propeller
Navigation Light	Elevator Trim Tab
Horizontal Stabilizer	Engine
Fuel Tanks	Flaps
Elevator	Flashing Beacon
Fuselage	Aileron
Rudder	Landing Gear
Vertical Stabilizer	

Answer Key

